

FALCON 52

VACUUM PACKAGING MACHINE



FEATURES

- Standard with 2 seal bars (left-right): 2 x 520 mm
- Standard double seal (two wires). Optional without extra costs: Cut-off/Wide seal
- Silicon holders easily removable for cleaning and maintenance purposes
- Pump capacity: 63 m³/h Busch vacuum pump
- Pump maintenance and cleaning program
- Machine cycle: 15-40 sec
- Standard Digital control with 10 program memory and Time control
- Comes with insert plates for a faster cycle and product adjustment
- Stainless steel frame
- Aluminium chamber and lid with sight glass

OPTIONS

- 1-2 Cut-off seal
- Bi- active seal
- Soft Air
- Sensor control, Advanced Control System (ACS)
- Liquid control
- Gas flush

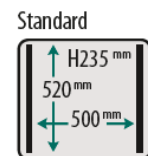
ACCESSORIES

- Zebra ZD410 thermal label printer (only in combination with ACS)
- Inclined insert plate (for packing liquids)
- Service kit for standard maintenance

DESCRIPTION

The robust Falcon 52 vacuum packaging machine with stainless steel frame is standard equipped with a Busch vacuum pump, an aluminium lid and vacuum chamber and 2 seal bars. This floor model complies with CE standards.

SEAL BAR CONFIGURATION



Henkelman offers standard 3 year warranty

VACUUM PACKAGING MACHINE FALCON 52 – SPECS

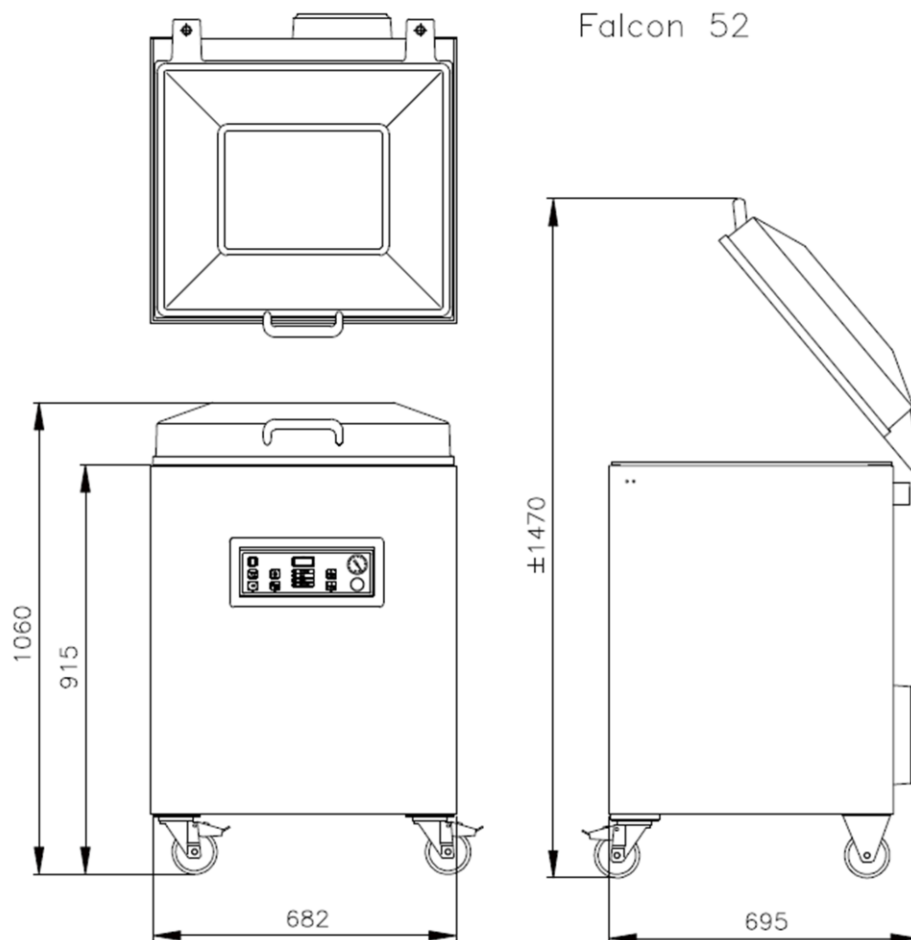
VACUUM PACKAGING MACHINE FALCON 52 – SPEC SHEET

DIMENSIONS

In mm

OUTER DIMENSIONS

Falcon 52



Model	Dimensions (mm)		Voltage* (Hz)	Pump capacity (m ³ /h)	Power (kW)	Weight (kg)
	Chamber (usable space) L x W x H	Machine L x W x H				
Falcon 52	520 x 500 x 235	695 x 682x 1060	400V-3-50	63	2,4- 3,5	163

* Other voltages available



HENKELMAN BV
Titaniumlaan 10
5221 CK 's-Hertogenbosch
The Netherlands

Sales support
P +31 73 621 36 71
E info@henkelman.com
Service/technical support
P +31 73 621 36 71
E service@henkelman.com